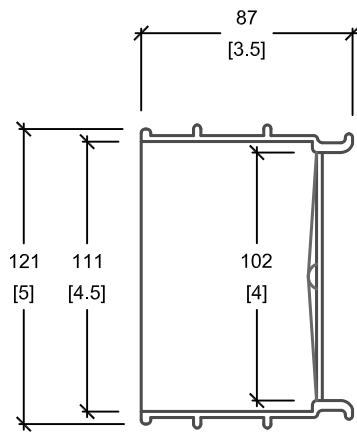
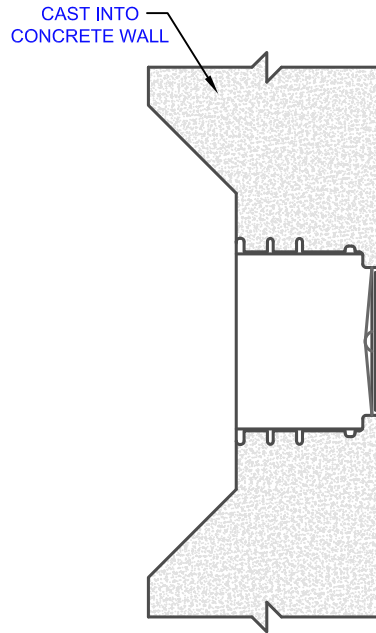


**3" DUCT TERMINATOR**

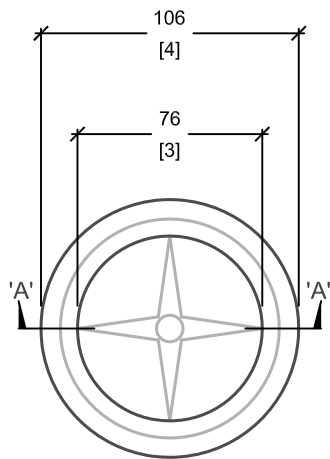


**4" DUCT TERMINATOR**

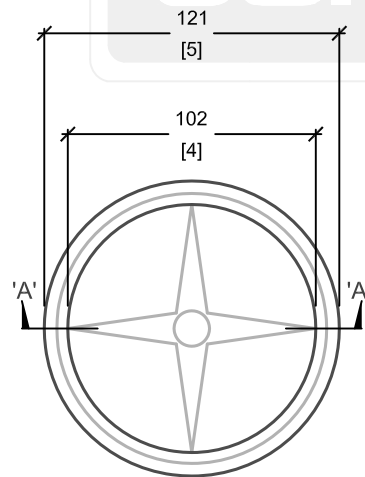


**INSTALLED PROFILE**

**CROSS SECTION 'A'**



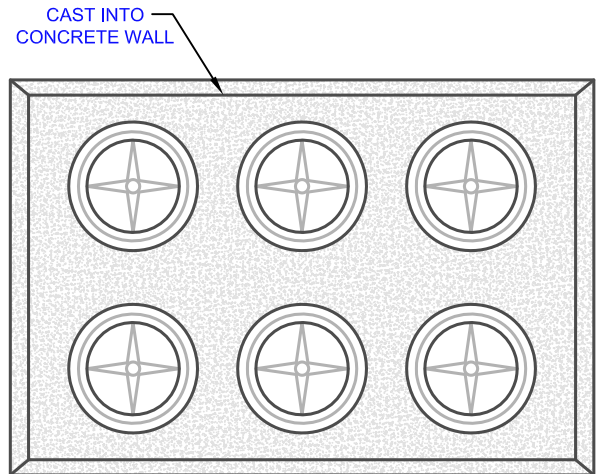
**3" DUCT TERMINATOR**



**4" DUCT TERMINATOR**

**PLAN VIEW**

TYPICAL 6 DUCT INSTALLATION  
- VARIOUS DUCT COMBINATIONS AVAILABLE



**SYSTEM INSTALLED**

mm  
[Inches]  
ALL DIMENSIONS DEFAULT TO MILLIMETRES



**UTILITY STRUCTURES INC.**

61 BONGARD AVE | OTTAWA, ON | K2E 6V2  
T: 613.225.6398 F: 613.225.1681 TF: 800.267.6466

[www.utilitystructures.com](http://www.utilitystructures.com)

**DETAILS:**

- 76mm[3"] DUCT TERMINATOR
- 102mm[4"] DUCT TERMINATOR
- SHOWN CAST INTO CONCRETE WALL

**MATERIAL:**

- PLASTIC

**PRODUCT CODE:**

**DUCT TERMINATOR**

**DIMENSIONS:**

**76mm[3"] & 102mm[4"] DIAMETER**

**WEIGHT:**

**N/A**

**REVISION DATE:**

**FEBRUARY 23, 2015**

**REV. # 1**