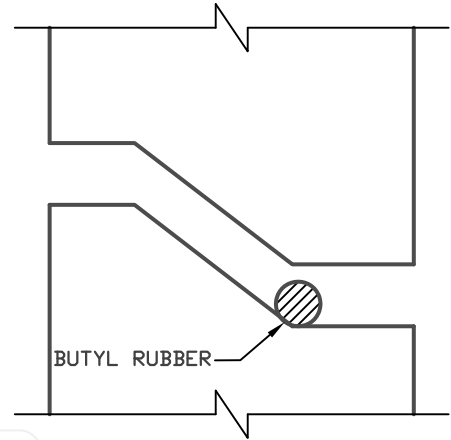
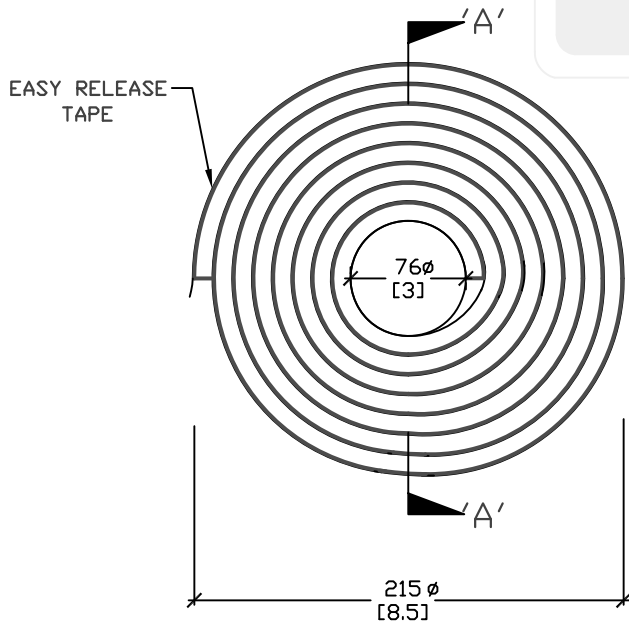


SIZES AVAILABLE	ACTUAL SIZE IN CROSSSECTION	COIL LENGTH	COILS PER BOX
1/4"	1/4"φ	14'6"	30

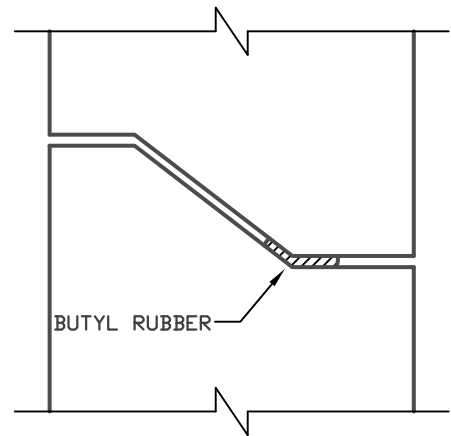


CROSS SECTION 'A'

OPEN JOINT



PLAN VIEW



CLOSED JOINT

ALL DIMENSIONS DEFAULT TO MILLIMETERS

mm
[in.]



61 BONGARD AVE
OTTAWA, ON,
PH: 800.267.6466
FAX: 613.225.1681

www.utilitystructures.com

NOTES:

SPACER & ADJUSTER SEALANT
DESIGNED FOR FAST, EFFICIENT,
SELF SEALING JOINTS

EXTREMELY ADHESIVE
RESISTS WATER VAPOR PERMEATION

REV.#	MM/DD/YYYY	PREP.
1	MAY/07/2012	EG

BUTYL GASKET

MODI TAPE SEALANT

WEIGHT = N/A

17mm x 18mm x 4420mm